

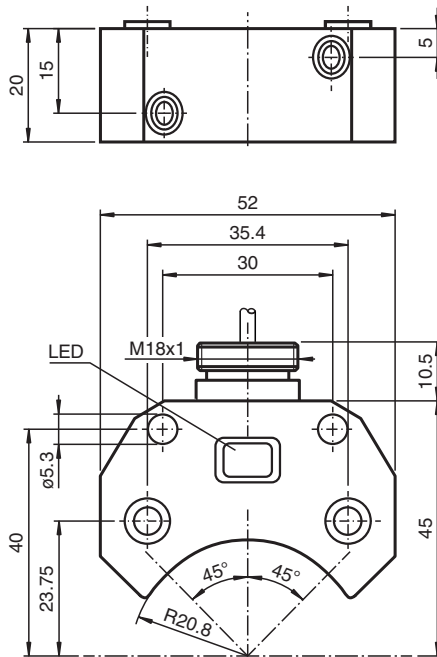
Inductive sensor

NBN3-F25F-E8-Y47291

- Direct mounting on standard actuators
- For installation in housing



Dimensions



Technical Data

General specifications

| | | |
|-----------------------------|-------|------------------------|
| Switching function | | 2 x normally open (NO) |
| Output type | | PNP |
| Rated operating distance | s_n | 3 mm |
| Installation | | flush mountable |
| Output polarity | | DC |
| Assured operating distance | s_a | 0 ... 2.3 mm |
| Actual operating distance | s_r | 2.6 ... 2.6 mm typ. |
| Reduction factor r_{AI} | | 0.5 |
| Reduction factor r_{304} | | 1 |
| Reduction factor r_{St37} | | 1.1 |
| Output type | | 3-wire |

Nominal ratings

| | | |
|---------------------|-------|--------------|
| Operating voltage | U_B | 10 ... 30 V |
| Switching frequency | f | 0 ... 500 Hz |
| Hysteresis | H | typ. 5 % |

Release date: 2022-06-22 Date of issue: 2022-06-22 Filename: 047291_eng.pdf

Refer to "General Notes Relating to Pepperl+Fuchs Product Information".

Pepperl+Fuchs Group
www.pepperl-fuchs.com

USA: +1 330 486 0001
fa-info@us.pepperl-fuchs.com

Germany: +49 621 776 1111
fa-info@de.pepperl-fuchs.com

Singapore: +65 6779 9091
fa-info@sg.pepperl-fuchs.com

PEPPERL+FUCHS

Technical Data

| | | |
|---|-------|---|
| Reverse polarity protection | | all connections |
| Short-circuit protection | | pulsing |
| Voltage drop | U_d | $\leq 3 \text{ V}$ |
| Operating current | I_L | 0 ... 200 mA |
| Off-state current | I_r | 0 ... 0.5 mA typ. 0.1 μA at 25 °C |
| No-load supply current | I_0 | $\leq 25 \text{ mA}$ |
| Time delay before availability | t_v | $\leq 500 \text{ ms}$ |
| Operating voltage indicator | | LED, green |
| Switching state indicator | | LED, yellow |
| Functional safety related parameters | | |
| MTTF _d | | 660 a |
| Mission Time (T _M) | | 20 a |
| Diagnostic Coverage (DC) | | 0 % |
| Compliance with standards and directives | | |
| Standard conformity | | |
| Standards | | EN 60947-5-2:2007 EN 60947-5-2/A1:2012 IEC 60947-5-2:2007 IEC 60947-5-2 AMD 1:2012 |
| Approvals and certificates | | |
| UL approval | | cULus Listed, General Purpose |
| CSA approval | | cCSAus Listed, General Purpose |
| CCC approval | | CCC approval / marking not required for products rated $\leq 36 \text{ V}$ |
| Ambient conditions | | |
| Ambient temperature | | -25 ... 70 °C (-13 ... 158 °F) |
| Storage temperature | | -40 ... 85 °C (-40 ... 185 °F) |
| Mechanical specifications | | |
| Connection type | | cable PVC , 5 m |
| Core cross section | | 4 x 0.34 mm ² |
| Housing material | | PBT |
| Sensing face | | PBT |
| Degree of protection | | IP67 |
| Tightening torque, fastening screws | | M5 x 25 : 2.7 Nm |
| Note | | Installation in housing |

Connection

